



MARINE TRIM TAB SYSTEMS

BENNETT TRIM TABS & ACCESSORIES



Trim Tabs

These complete BENNETT Electro - Hydraulic Trim Tab systems are for 12 volt transom mounting, each system contains stainless steel after planes, hydraulic unit, actuators, & all necessary hardware. When measuring the hull from centerline to the chine, or turn of bilge & select the longest - span planes that can be used (allowing 3" - 4" of leeway)

Part# **Tab Size**

BEN1212E 12" x 12"

BEN129E 12" x 9"

BEN1812E 18" x 12"

BEN189E 18" x 9"

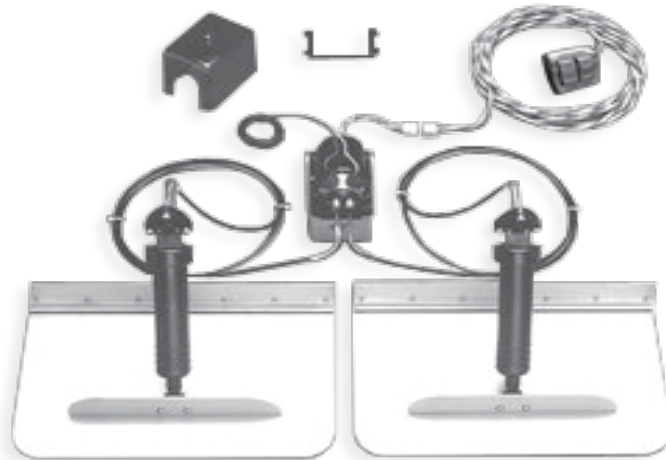
BEN249E 24" x 9"

BEN309E 30" x 9"

BEN369E 36" x 9"

BEN429E 42" x 9"

****Note: Outdrive & Outboard require a minimum of 8" clearance from the centerline of the lower unit to the planes**



picture is for illustration purposes only



Part#

BENES2000SK

Description:

Euro style rocker switch, included in trim tab kits

NEW



Part#

BENAC3000

Description:

It does exactly what it says it does, interacting directly with your trim tab system to automatically monitor your boat's position & maintain the perfect cruising attitude

BENNETT OPTIONAL CONTROLS



Part#

BENV351HPU

Description:

Replacement hydraulic trim pump & motor, complete (as pictured) with lexan motor cover & solenoids



NEW

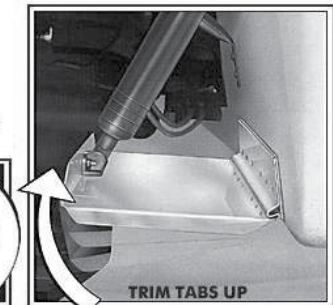


Part#

BENEC5000

Description:

Bennett rocker switch control, trim tab indicator & the Auto Tab Retractor, features variable intensity LEDs for night or day



Part#

BENAR512

Description:

The Bennett Auto Tab Retractor (ATR) adds even more convenience to easy trim tab operation, Everytime you turn your engine's ignition key to the "off" position, the trim tabs automatically retract to their full-up position, reducing the risk for damage



Part#

BENTPI2000

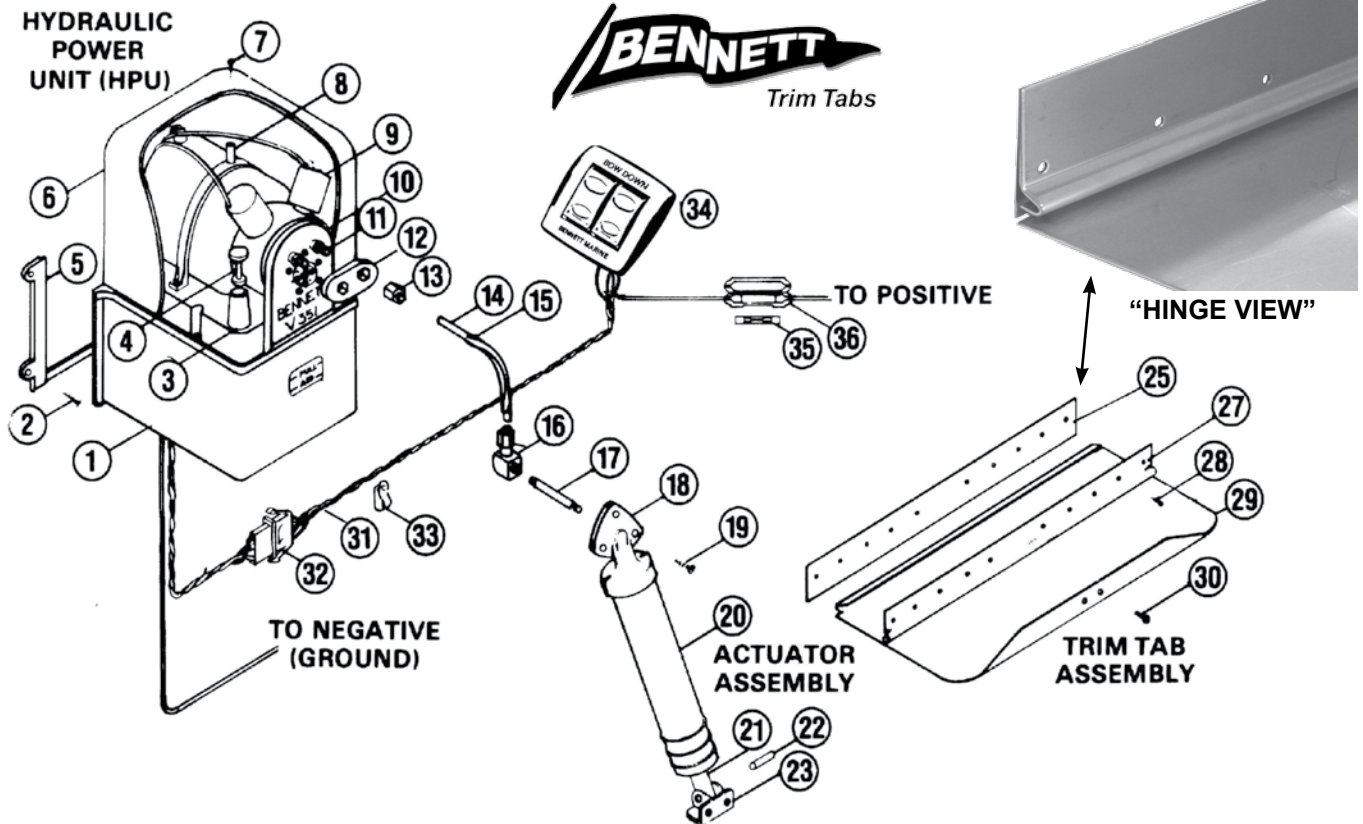
Description:

Accurately shows deflection percentage of each trim tab, & the LED brightness is adjustable for any lighting condition



MARINE TRIM TAB SYSTEMS

BENNETT TRIM TABS & ACCESSORIES



Ref. #	Part#	Description:
20 A - 4 RINGS	BENA1101ASK	ACTUATOR ASSY. (STANDARD) 13" - 3/4" OVERALL LENGTH INCLUDES # 18, 22, & 23 (Note; 4 Raised Rings On Cylinder Casing.)
20 B - 3 RINGS	BENA1200SSK	ACTUATOR ASSY. (SHORT) 11" - 3/4" OVERALL LENGTH INCLUDES # 18, 22, & 23 (Note; 3 Raised Rings On Cylinder Casing)
18	BENA1103	UPPER HINGE
23	BENA1113	LOWER HINGE
22	BENA1115	LOWER HING PIN
16	BENH1172	FEMALE ELBOW
15	BENH1173	TUBE BENDING CLIP
5	BENH1179	MOUNTING BRACKET FOR HYDRAULIC POWER UNIT
29	BENTPA - - -	TRIM TAB ASSEMBLY - INCLUDES 25, 27, 29 *SPECIAL ORDER, PLEASE CALL WITH DIMENSIONS
14	BENT1125	HYDRAULIC TUBING, PER FOOT
13	BENT1127	NUT WITH FERRULE
1, 4	BENV351HPU	HYDAULIC POWER UNIT, 12 VOLT
34	BENES2000SK	TAB CONTROL, EURO ROCKER SWITCH
9 - RED	BENVP1135RSK	SOLENOID VALVE, RED - PORT TRIM TAB
9 - GREEN	BENVP1135GSK	SOLENOID VALVE, GREEN - STARBOARD TRIM TAB
6	BENVP1138	LEXAN COVER
31	BENWH1000	WIRE HARNESS - 22 FEET
33	BENH1177	NYLON HANGERS



MARINE TRIM TAB SYSTEMS

INSTA-TRIM / BOAT LEVELER TRIM TABS & ACCESSORIES



Instatrim, the original hydraulic boat leveler, provides a better ride every time you leave the dock. A simple rocker type control permits you to correct a bow high or list condition on any shape hull, from 16 to 60 feet. Easy to install Instatrim boat levelers are strong and durable, and come in lengths to fit most boats, so any boating enthusiast can enjoy a superior ride, Instatrim's over 25 year commitment to the boating industry assures you of a quality product and an excellent performance

Part#	Tab Size
BOLN128000	12" X 8"
BOLN121100	12" X 11"
BOLN188000	18" X 8"
BOLN181100	18" X 11"
BOLN241100	24" X 11"
BOLN308000	30" X 8"
BOLN368000	36" X 8"
BOLN408000	40" X 8"

****Note: Includes "Standard" Rocker Style Switch**



BOAT LEVELER ACCESSORIES



Part#

BOL12725

Description:

Standard Rocker Style switch, complete with switches & bracket for mounting black plate



Part#

BOL12700

Description:

The built-in bypass is factory set at 400 P.S.I. tolerance held to .00025, The amperage doesn't exceed 16 because the unit circulates oil, rather than stalling out or trying to pump additional pressure



Part#

BOL2002TTCBFG-B

Description:

Waterproof switch, easily installed with a 1-1/2" hole saw, adapts to other brands of trim tabs, sealed between the switch & the dashboard, no interrupter relays needed, drop in replacement for all factory Insta-Trim switches



Part#

BOL12612

Description:

1 Pint of biodegradable trim oil, for any trim tab system, includes funnel, environmental friendly, with instructions on bottle



Part#

BOL12727A

Description:

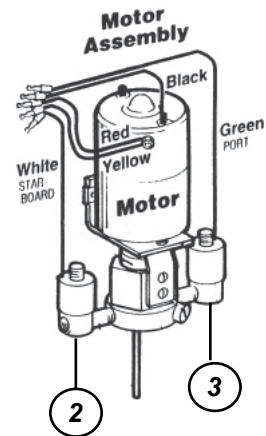
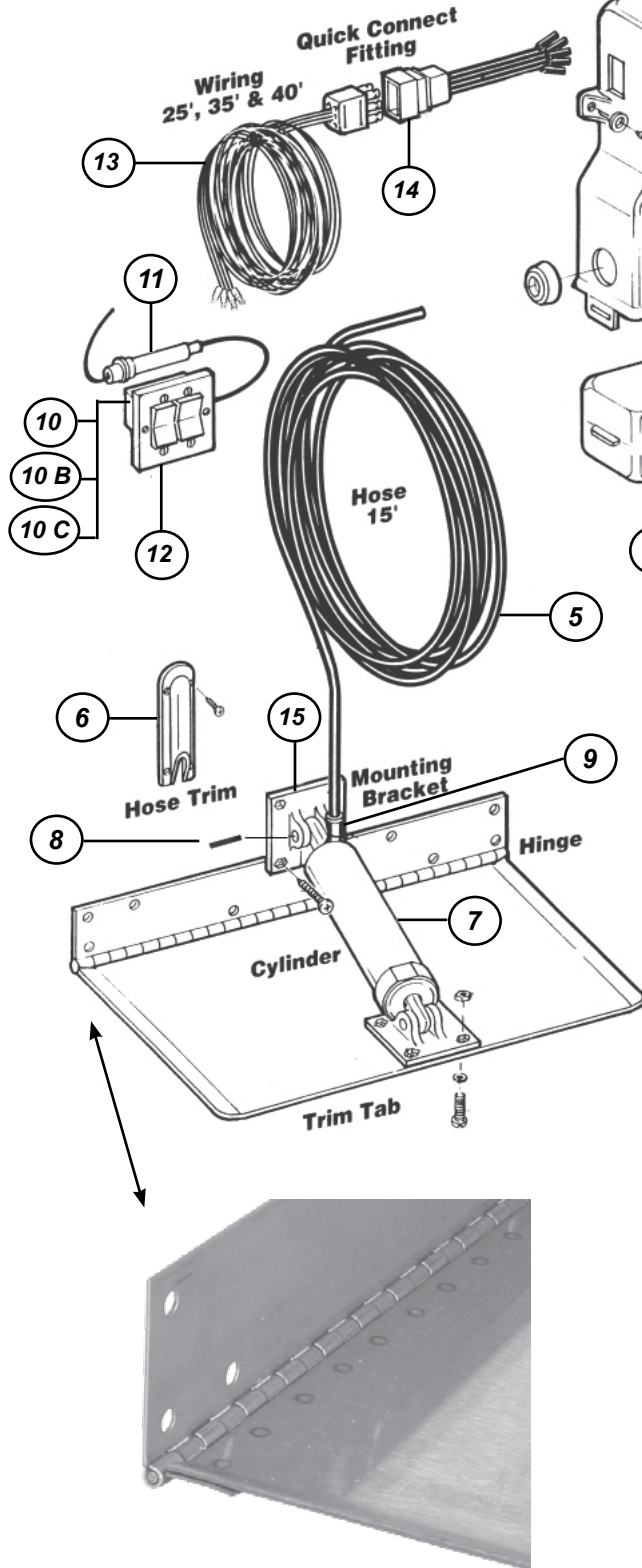
Replacement trim cylinder, complete with 10' of hose & pins for hinges

MARINE TRIM TAB SYSTEMS

INSTA-TRIM / BOATLEVELER TRIM TABS KITS & ACCESSORIES



INSTA-TRIM
Boat Leveler Co.



Ref. #	Part#	Description:
1	BOL12657-A	WHITE RESERVOIR
2	BOL12641	SOLENOID VALVE / WHITE WIRE STARBOARD
3	BOL12701	SOLENOID VALVE / GREEN WIRE PORT
4	BOL12609	OIL RESERVOIR PLUG
5	BOL12728	HYDRAULIC HOSE, 2000 lb.s BURST PRESSURE / PER FOOT
6	BOL12729	HOSE TRIM W/ SCREWS
7	BOL12727A	HYDRAULIC CYLINDER W/ 8' HOSE
8	BOL12730	CYLINDER PINS
9	BOL12731	HOSE COLLARS
10	BOL12725	SWITCH / STD / ROCKER ASSEMBLY
10 C	BOL12725-C	COVER / WATER PROOF / CLEAR
11	BOL12726	20 AMP FUSE W/ WIRE
12	BOL13001	SWITCH PLATE
13	BOL12736	35' WIRE HARNESS W/ MALE PLUG
14	BOL12688	FEMALE WIRE RECEPTACLE
15	BOL12732A	CYLINDER MOUNTING BRACKET
16	BOL12657	MOTOR COVER & OIL RESERVOIR KIT

"HINGE VIEW"



MARINE TRIM TAB SYSTEMS

LECTRO TAB TRIM TABS & ACCESSORIES



LECTROTAB Electric Actuated Trim Tabs do not require a hydraulic pump assembly, They are activated by a water tight motor in each cylinder, This means no maintenance on the permanently sealed system, This design makes for easy installation and avoids any chance of environmental polluting with hydraulic oils, Since there are no delays as with hydraulic units the reaction time is very quick for fast trimming response. The stainless steel tabs are 12 gauge, 304 stainless, with integral hinge and no welds, The patented two seal system prevents any chance of water intrusion into the cylinder, Kits are available in sizes for all boat lengths, Comes with the dual rocker switch and wiring harness, **5 YEAR WARRANTY ON ACTUATOR!**

<u>Part#</u>	<u>Tab Size</u>
LECKAF09X09	9" X 9"
LECKAF09X12	9" X 12"
LECKAF09X18	9" X 18"
LECKAF09X24	9" X 24"
LECKAF12X12	12" X 12"
LECKAF12X18	12" X 18"
LECKAS09X12	9" X 12" w/ grey oval switch
LECKAS12X12	12" X 12" w/ grey oval switch



"HINGE VIEW"

LECTROTAB ACCESSORIES

LECTROTAB



Basic panel, two rocker switches, panel fed with 12 or 24 V DC power & provides connections for two wires from each actuator, measures 3-1/8" w, 1/4" h, semi gloss finish

<u>Part#</u>	<u>Description:</u>
LECSAF-S	Single station
LECSAF-NS	Dual station

LECTROTAB



Bat handle panel, same as the basic panel to the left but with high profile or "Bat" handle rocker switches, these switches are easy to operate by feel & in rough seas

<u>Part#</u>	<u>Description:</u>
LECSAB-S	Single station
LECSAB-NS	Dual station

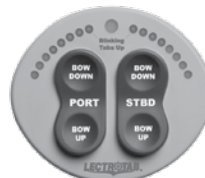
LECTROTAB



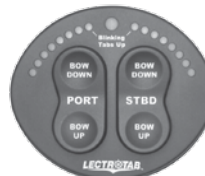
2-1/4" in dia., eight LED's indicate port & starboard tab position with all eight lit for tabs fully down, gauge dims at night & is rainproof, automatically calibrates when power is off

<u>Part#</u>	<u>Description:</u>
LECTI-8	Round tab position indicator

LECTROTAB



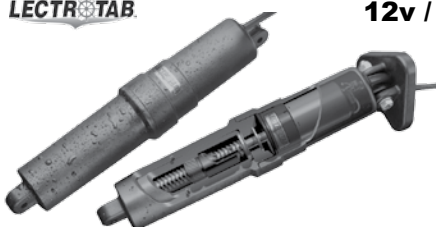
The Oval is a microprocessor based trim tab control & position indicator incorporating retraction & automatic calibration when ever the control is switched on or off, 2" dia., completely waterproof



<u>Part#</u>	<u>Description:</u>
LECSETR-60	Gray oval
LECSETR-61	Black oval

LECTROTAB

12v / 8 sec actuator



<u>Part#</u>	<u>Description:</u>
LECACTUATOR	Replacement acuator

picture is for illustration purposes only

LECTROTAB



<u>Part#</u>	<u>Description:</u>
LECBU	Upper Bracket
LECBL	Lower Bracket

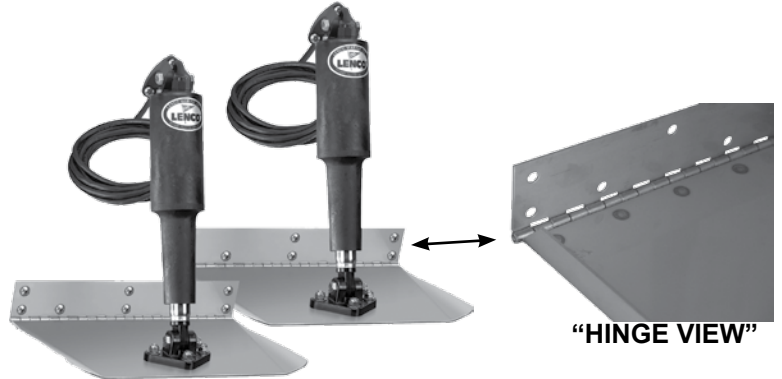
MARINE TRIM TAB SYSTEMS

LENCO TRIM TABS KITS & ACCESSORIES



Lenco trim tabs make your boat ride smoother, drier, faster & with increased safety whether on a small skiff or a mega-yacht. Lenco's ballscrew design is more reliable, three times more powerful and features an instant response, which makes them very user friendly compared to typical hydraulics. We also like being oil-free & environmentally conscious. Each kit comes complete with 12-volt actuators with 6 foot leads & Deutsch connectors, Stainless steel trim tabs, 20' actuator extension harnesses with Deutsch connectors, Upper mounting bracket with gland seal, Lower mounting bracket, All stainless steel mounting hardware, **Switches sold separately**

<u>Part#</u>	<u>Tab Size</u>
LNC15013-101	9" X 9"
LNC15014-101	9" X 12"
LNC15016-101	12" X 12"
LNC15017-101	12" X 18"



A standard up & down rocker switch complete with Deutsch Connectors



Part#
LNC10222-211
Description:
Standard switch



Standard replacement actuator, instant response, fully submersible, maintenance free & sealed for life. High impact 50% glass fiber filled ultraviolet resistant nylon case



Part#
LNC15054-001
Description:
Standard actuator

Complete your trim tab system with the latest switch technology. Waterproof, maintenance free tactile switches with auto-retract



Part#
LNC15069-001
Description:
Standard control



Part#
LNC15070-001
Description:
Standard control w/
LED position indicator



Part#
LNC30134-001
Description:
Control box for tactile switch w/
retractor, solid state & deutsch
connectors



Part#
LNC30072-001
Description:
Control box for indicator, switch
w/ retractor, system check, solid
state & deutsch connectors