

MARINE TRIM & TILT COMPONENTS

MERCURISER TRIM & TILT MOTORS & PUMPS



Complete For Late Model Mercruiser Applications w/ Oildyne Pump



5 yr. limited warranty

Part#
MEST1088M-SK

Description
Pump, Motor, Reservoir, Solenoids, & Stainless Steel mounting bracket, Wiring, replaces Mercury #88183A12 & #14336AB



Complete For Late Model Mercruiser Applications w/ Oildyne Pump



Part#
SDE9C108

Description
Pump, Motor, Reservoir, Solenoids, & Steel Mounting Bracket painted black, Wiring, replaces Mercury #88183A12 & #14336AB



O.E oildyne for late Mercruisers w/ Oildyne pump



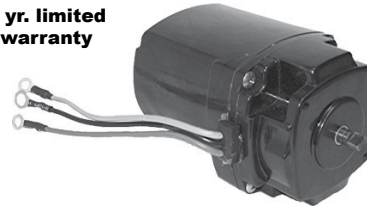
5 yr. limited warranty

Part#
MEST1088M

Description
Pump, Motor, & Reservoir, replaces O.E. #88183A12, & #14336AB



5 yr. limited warranty



Fits Mercury Outboard & Mercruiser I/O w/ oildyne pump, require adapter MEST187KM sold separatley



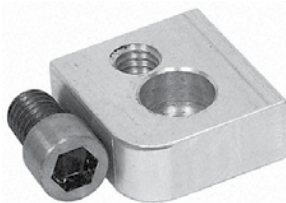
Replaces this early saure motor

Part#
MEST1087M

Description
Motor Only, Replaces Mercury #17649A1, 87828, & early style square motor



5 yr. limited warranty



Part#
MEST187KM

Description
Adapter kit, adapts T1087M when replacing early model Mercruiser square body tilt / trim motor

Complete one bolt type, includes gasket, bolts, screen, seal & cap



5 yr. limited warranty



Part#
MESRSV01

Description
Oil reservoir, replaces O.E. #18525A1



5 yr. limited warranty



Part#
MESRSV02

Description
Oil Reservoir, replaces O.E. #88316A1, fits T1088M



1 yr. limited warranty

Includes screws, gasket, & adapter



Part#
ARC6217

Description
Motor & reservoir only, Mercruiser, Volvo Penta, & B.M.W.



5 yr. limited warranty

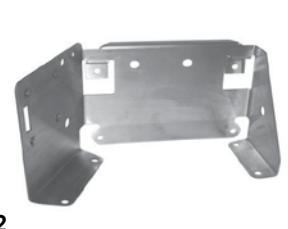


Part#
MESSKB-01

Description:
Stainless Steel Power Trim Pump Mounting Bracket, Replaces early model Mercruiser #42419A1



5 yr. limited warranty



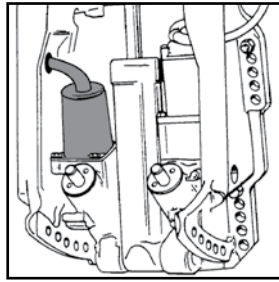
Part#
MESSKB-02

Description:
Stainless Steel Power Trim Pump Mounting Bracket, Replaces current model Mercruiser #862548A1



MARINE TRIM & TILT COMPONENTS

MERCUISER & OMC TRIM & TILT MOTORS & PUMPS



5 yr. limited warranty

Part#
MEST1083M

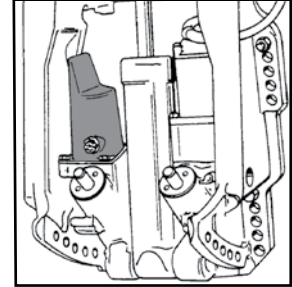
Description

High performance cartridge pump w/ replaceable motor, fits 35-220 hp Mercury/Mariner outboards w/ design I 3 ram, 3 wire tilt/trim units w/ side fill reservoir, replaces mercury #99186, 99186T, 99186-1, square style eaton, round style Prestolite

1 yr. limited warranty



Replaces this square motor
(shaft adaptor & o-ring included)



Part#
ARC6279

Description

Heavy duty, fits Mercury/Mariner outboards w/ Design II 3 ram, 3 wire trim units, Hollow-hex shaft w/ AFT fill reservoir, replaces Mercury #811628



1 yr. limited warranty



replaces Prestolite
EVD4002, 3 wire
connection

Part#
ARC6204
Description

OMC Stringer stern drives, Fits
OMC #982058, #982706



1 yr. limited warranty



replaces Prestolite
EVC4002, 3 wire
connection

Part#
ARC6206
Description

Fits OMC #387277, #582048,
& #582155



replaces Prestolite
ETK4102, 2 wire
connection

5 yr. limited warranty

Part#
MEST1085M
Description

OMC motor replaces O.E.
#380361, #382138, & 382220



Heavy Duty, fits
OMC, 2 wire
connection, Male
terminal ends

5 yr. limited warranty

Part#
MEST1086M
Description

OMC motor to replace O.E.
#391264, #393259, #393988,
#394176, & #983019



1 yr. limited warranty



Heavy duty, fits
OMC Cobra stern
drives 1989-1993
(all models),
Volvo 3.0-8.2L
1994-Up

Part#
ARC6245
Description

Replaces OMC #986280, &
Volvo #3853945



1 yr. limited warranty



Heavy Duty, fits
many small OMC
outboards
(includes gasket)

Part#
ARC6228
Description

Replaces OMC #172588,
#173944, 173946 & Prestolite
ESI-4001

MARINE TRIM & TILT COMPONENTS

VOLVO PENTA TRIM & TILT MOTORS & PUMPS



O.E. Oildyne, fits MEST1089M, late model Volvo Penta w/ Oildyne pump, 2 wire connection

5 yr. limited warranty

Part#
MEST1079M **Description**
replaces O.E. #854525, Motor Only

VOLVO PENTA



5 yr. limited warranty



Part#
MEST1089M **Description**
O.E. Oildyne, fits late Volvo Penta w/ Oildyne pump, replaces O.E. #854349, motor, pump, & reservoir



1 yr. limited warranty

"COMPLETE" fits Volvo Penta 852928, & 3857265-7



REPLACES



Part#
ARC6224 **Description**
replaces Prestolite #HYK4001, includes hydraulic valve body, Ring Terminal Ends



5 yr. limited warranty

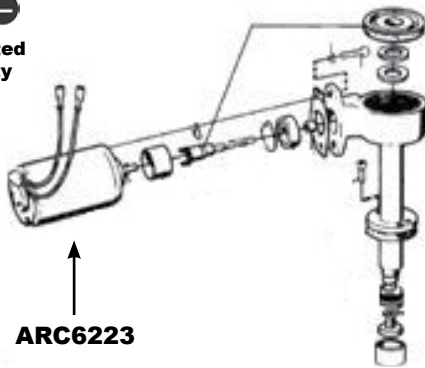
Hydraulic hoses attach & seal with "o-ring" connection at end of trim hose



Part#
MEST1090M **Description**
O.E. Oildyne, fits Volvo / OMC-SX style sterndrives, replaces trim motor with reservoir on Volvo #3587079



1 yr. limited warranty



ARC6223



Part#
ARC6223 **Description**
Heavy Duty, fits Volvo Penta, replaces Electrolux / Volvo Penta #850834, used w/ the Volvo Lifting assembly #853520 shown left !!

18-5705 Tilt relays



Complete one bolt type, includes gasket, bolts, screen, seal & cap



5 yr. limited warranty



Part#
MESSV01 **Description**
Oil reservoir, replaces O.E. #18525A1

Complete four bolt type, includes gasket, bolts, screen, seal & cap, fits late style type oildyne



5 yr. limited warranty



Part#
MESRSV02 **Description**
Oil Reservoir, replaces O.E. #88316A1, fits T1088M & T1090M